

# ART. K500

## INDICATOR SEAT CLOSING COVERS

**MATERIAL:**

Reinforced and stabilised polyamide.  
Oils and greases resistant.

**SURFACE:**

Satin.

**PRIMARY COVER COLOUR:**

Black (RAL 9011).

**SECONDARY COVER COLOUR:**

Grey (RAL 7035 cod. 13).

**ALTERNATIVE CAP COLOUR:**

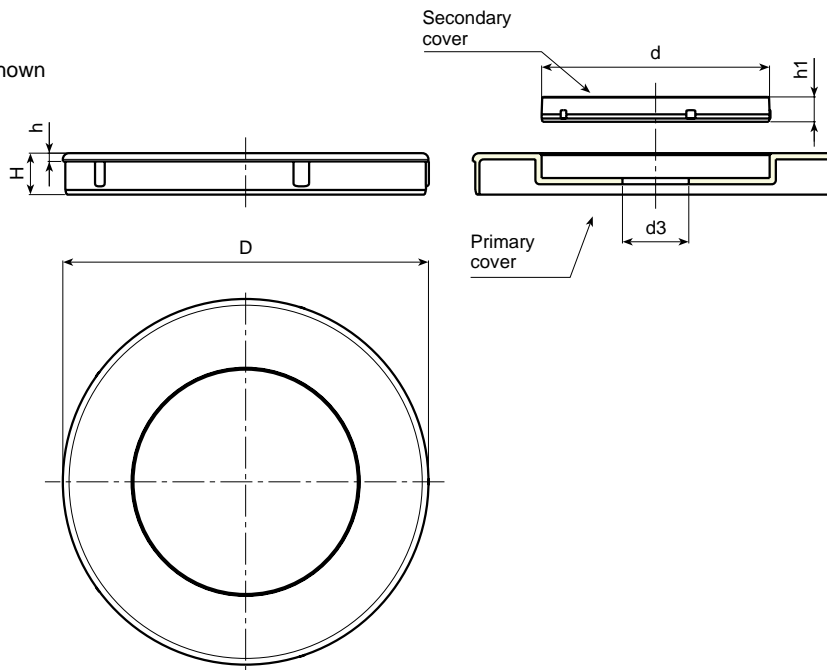
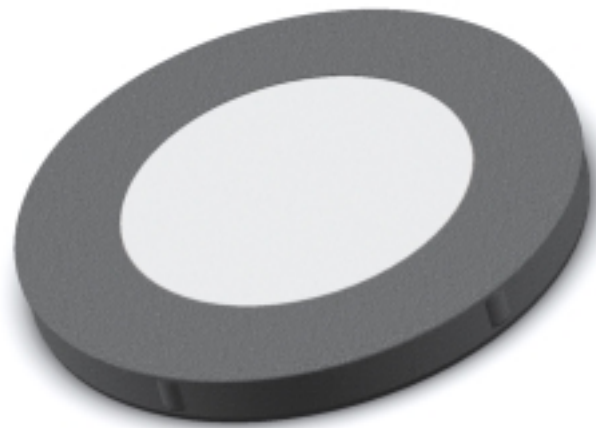
Orange (RAL 2004 cod. 02).  
Blue (RAL 5015 cod. 07).  
Yellow (RAL 1021 cod.10).  
Red (RAL 3000 cod.16).  
Green (RAL 6024 cod.17).  
Black (RAL 9011 cod. 01).

**COVER FIXING METHOD:**

Self push-fit. Removable.

**SPECIAL REQUESTS:**

- It is possible to supply colours as shown in the table at page 15, on request and for quantities.



**PAD PRINTING SERVICE:**

- Upon request and for special quantities caps can be supplied with customized pad printing.



Art.	D	d	d3	H	h	h1	Weight (gr)
K500-50	51,8 (S50/1)	34	10	8	2	5	10
K500-80	86,8 (S80/1)	55	16	10	2	6	25
K500-120	(S120/1)	Available from January 2005					



BOTECA

## INDICATOR SEAT CLOSING COVERS

**MATERIAL:**

Reinforced and stabilised polyamide.  
Oils and greases resistant.

**SURFACE:**

Satin.

**PRIMARY COVER COLOUR:**

Black (RAL 9011).

**SECONDARY COVER COLOUR:**

Grey (RAL 7035 code 13).

**ALTERNATIVE CAP COLOUR:**

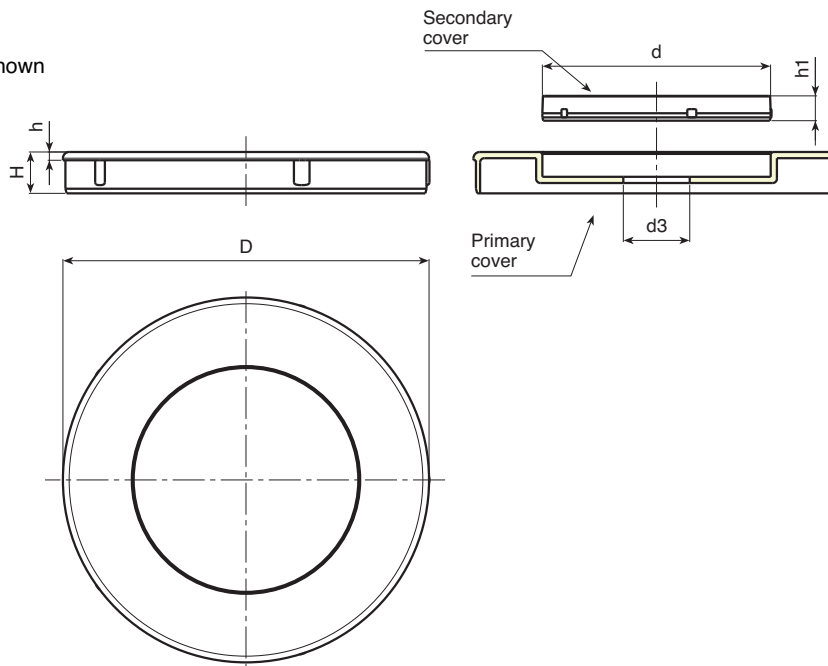
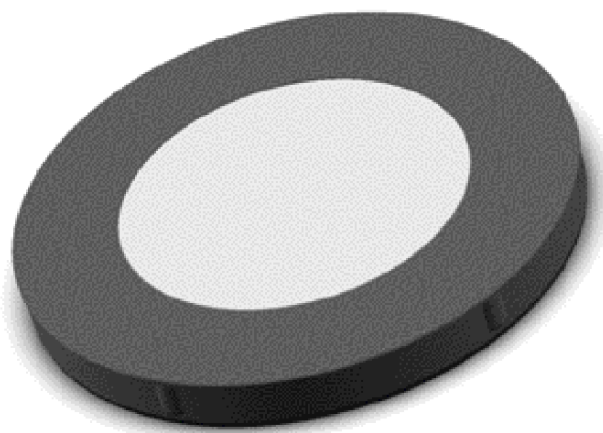
Orange (RAL 2004 code 02).  
Blue (RAL 5015 code 07).  
Yellow (RAL 1021 code 10).  
Red (RAL 3000 code 16).  
Green (RAL 6024 code 17).  
Black (RAL 9011 code 01).

**COVER FIXING METHOD:**

Self push-fit. Removable.

**SPECIAL REQUESTS:**

- It is possible to supply colours as shown in the table at page 15, on request and for quantities.



**PAD PRINTING SERVICE:**

- Upon request and for special quantities caps can be supplied with customized pad printing.



Art.	D	d	d3	H	h	h1	Weight (gr)	
K500-50	2,04 (S50/1)	1,34	0,39	0,31	0,08	0,20	10	
K500-80	3,42 (S80/1)	2,17	0,63	0,39	0,08	0,24	25	
K500-120	(S120/1)	Available from December 2007						



BOTECA



Usa version

# ART. K900

## SOLID CONTROL HANDWHEEL FOR BUILT-IN POSITION INDICATOR

### MATERIAL:

Reinforced and stabilised polyamide.  
Oils and greases resistant.

### SURFACE:

Satin.

### HANDWHEEL COLOUR:

Black (RAL 9011).

### ATTACHABLE POSITION INDICATOR:

SIKO gravity indicator type "S" or "SZ". The indicator can only be used in a vertical position (horizontal machine axle). The indicator and the d7 grub screw must be purchased separately. For further details see page 12.

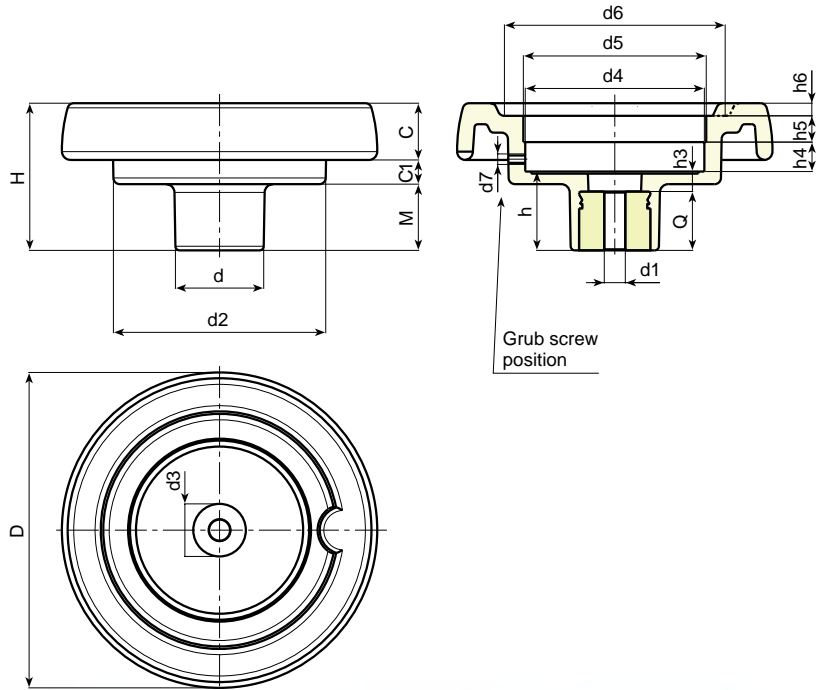
(\*) SIKO position indicator S50/1 can be mounted with adapter KS80-50.

(+) SIKO position indicator S80/1 can be mounted with adapter KS120-80.

### MAIN INSERT:

Zinc plated steel right through bored bush with H7 tolerance.

For fixing systems, or execution of tabs or square holes, please refer to the technical notes attached to the catalogue.



### SPECIAL REQUESTS:

- It is possible to supply the inserts with d1 diameter by customer design, on request and for quantities.
- It is possible to supply the inserts in different materials, on request and for quantities.
- It is possible to supply the inserts with different treatment-finishes, on request and for quantities.
- On request and for special quantities the indicator seat can be changed.
- It is possible to supply the complete handwheel with colours as shown in the table at page 15, on request and for quantities.



Art.	D	H	d	d2	M	C	C1	d3	d4	d5	d6	d7	h	h3	h4	h5	h6	d1 H7	dm	Q	Weight (gr)
K900-87 T50 D5.8	86	53	32	62	21	17	15	20	50,5	52 (S50/1)	63	M6	26,5	6,5	11,5	12	3	5,8 H9	12	20	155
K900-87 T50 D10	86	53	32	62	21	17	15	20	50,5	52 (S50/1)	63	M6	26,5	6,5	11,5	12	3	10	12	20	155
K900-100 T50 D6.8	99	55,5	32	63	23,5	20,5	11,5	20	50,5	52 (S50/1)	68	M6	29	9	11,5	12	3,5	6,8 H9	12	20	170
K900-100 T50 D10	99	55,5	32	63	23,5	20,5	11,5	20	50,5	52 (S50/1)	68	M6	29	9	11,5	12	3,5	10	12	20	170
K900-130 T80 D6.8	129	64,5	42	100	27,5	23	14	29	85,5	87 (S80/1) *	90	M6	34	10	13,5	12,5	5	6,8 H9	20	24	350
K900-130 T80 D12	129	64,5	42	100	27,5	23	14	29	85,5	87 (S80/1) *	90	M6	34	10	13,5	12,5	5	12	20	24	348
K900-150 T80 D6.8	149	69	42	101	31	25,5	12,5	29	85,5	87 (S80/1) *	106	M6	37	9	13,5	12,5	6,5	6,8 H9	20	28	430
K900-150 T80 D14	149	69	42	101	31	25,5	12,5	29	85,5	87 (S80/1) *	106	M6	37	9	13,5	12,5	6,5	14	20	28	427
K900-175 T80 D6.8	175	72	40	115	28,5	32	11,5	25	85,5	87 (S80/1) *	126,5	M6	38	10	12,5	14	8	6,8 H9	20	28	650
K900-175 T80 D16	175	72	40	115	28,5	32	11,5	25	85,5	87 (S80/1) *	126,5	M6	38	10	12,5	14	8	16	20	28	645
K900-200 T120 D6.8	199	71	46	137	24	32	15	29	124	125,5 (S120/1) +	144	M6	34	11	13,5	12,5	10	6,8 H9	22	23	810
K900-200 T120 D20	199	71	46	137	24	32	15	29	124	125,5 (S120/1) +	144	M6	34	11	13,5	12,5	10	20	22	23	804

It's possible to increase the hole, by boring, until dm.

Next to the d5 diameter is shown a mountable Siko indicator. For information on the indicator visit the SIKO web site at [www.siko.de](http://www.siko.de).



BOTECA

# SOLID CONTROL HANDWHEEL FOR BUILT-IN POSITION INDICATOR

**MATERIAL:**

Reinforced and stabilised polyamide.  
Oils and greases resistant.

**SURFACE:**

Satin.

**HANDWHEEL COLOUR:**

Black (RAL 9011).

**ATTACHABLE POSITION INDICATOR:**

SIKO gravity indicator type "S" or "SZ". The indicator can only be used in a vertical position (horizontal machine axle). The indicator and the d7 grub screw must be purchased separately. For further details see page 12.

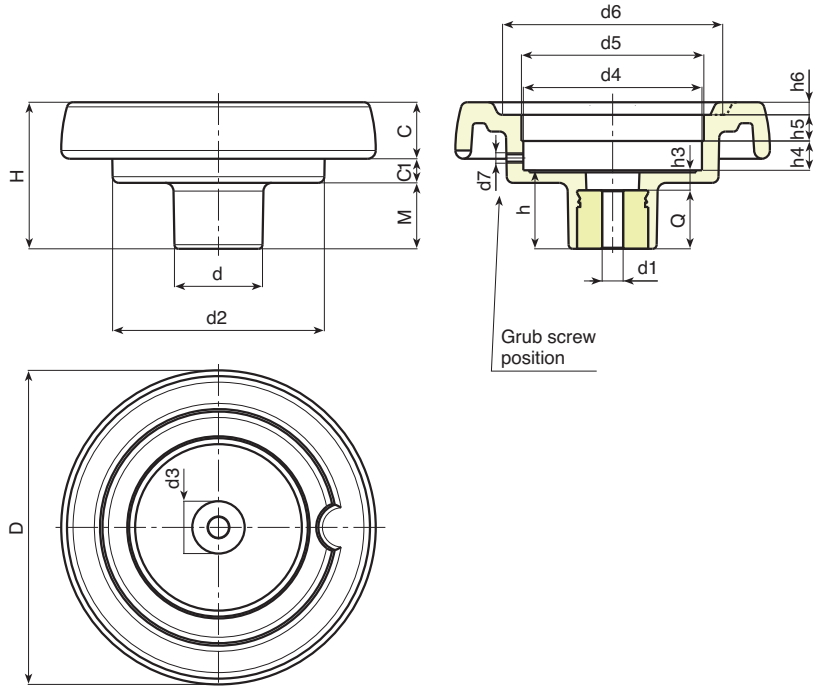
(\*) SIKO position indicator S50/1 can be mounted with adapter KS80-50.

(+) SIKO position indicator S80/1 can be mounted with adapter KS120-80.

**MAIN INSERT:**

Zinc plated steel right through bored bush with H7 tolerance.

For fixing systems, or execution of tabs or square holes, please refer to the technical notes attached to the catalogue.



**SPECIAL REQUESTS:**

- It is possible to supply the inserts with d1 diameter by customer design, on request and for quantities.
- It is possible to supply the inserts in different materials, on request and for quantities.
- It is possible to supply the inserts with different treatment-finishes, on request and for quantities.
- On request and for special quantities the indicator seat can be changed.
- It is possible to supply the complete handwheel with colours as shown in the table at page 15, on request and for quantities.



Art.	D	H	d	d2	M	C	C1	d3	d4	d5	d6	d7	h	h3	h4	h5	h6	d1 H7	dm	Q	Weight (gr)
K900-87 T50 D5/16	3,39	2,09	1,26	2,44	0,83	0,67	0,59	0,79	# # (S50/1)	2,48	M6	M6	1,04	0,26	# #	0,12	5/16	0,47	0,79	155	
K900-87 T50 D3/8	3,39	2,09	1,26	2,44	0,83	0,67	0,59	0,79	# # (S50/1)	2,48	M6	M6	1,04	0,26	# #	0,12	3/8	0,47	0,79	155	
K900-100 T50 D5/16	3,90	2,19	1,26	2,48	0,93	0,81	0,45	0,79	# # (S50/1)	2,68	M6	M6	1,14	0,35	# #	0,14	5/16	0,47	0,79	170	
K900-100 T50 D3/8	3,90	2,19	1,26	2,48	0,93	0,81	0,45	0,79	# # (S50/1)	2,68	M6	M6	1,14	0,35	# #	0,14	3/8	0,47	0,79	170	
K900-130 T80 D5/16	5,08	2,54	1,65	3,94	1,08	0,91	0,55	1,14	# # (S80/1) *	3,54	M6	M6	1,34	0,39	# #	0,20	5/16	0,79	0,94	350	
K900-130 T80 D1/2	5,08	2,54	1,65	3,94	1,08	0,91	0,55	1,14	# # (S80/1) *	3,54	M6	M6	1,34	0,39	# #	0,20	1/2	0,79	0,94	348	
K900-150 T80 D5/16	5,87	2,72	1,65	3,98	1,22	1,00	0,49	1,14	# # (S80/1) *	4,17	M6	M6	1,46	0,35	# #	0,26	5/16	0,79	1,10	430	
K900-150 T80 D1/2	5,87	2,72	1,65	3,98	1,22	1,00	0,49	1,14	# # (S80/1) *	4,17	M6	M6	1,46	0,35	# #	0,26	1/2	0,79	1,10	430	
K900-175 T80 D5/16	6,89	2,83	1,57	4,53	1,12	1,26	0,45	0,98	# # (S80/1) *	4,98	M6	M6	1,50	0,39	# #	0,31	5/16	0,79	1,10	650	
K900-175 T80 D5/8	6,89	2,83	1,57	4,53	1,12	1,26	0,45	0,98	# # (S80/1) *	4,98	M6	M6	1,50	0,39	# #	0,31	5/8	0,79	1,10	645	
K900-200 T120 D5/16	7,83	2,80	1,81	5,39	0,94	1,26	0,59	1,14	# # (S120/1) +	5,67	M6	M6	1,34	0,43	# #	0,39	5/16	0,87	0,91	810	
K900-200 T120 D3/4	7,83	2,80	1,81	5,39	0,94	1,26	0,59	1,14	# # (S120/1) +	5,67	M6	M6	1,34	0,43	# #	0,39	3/4	0,87	0,91	804	

# Fixed sizes for Siko indicators

It's possible to increase the hole, by boring, until dm.

Next to the d5 diameter is shown a mountable Siko indicator. For information on the indicator visit the SIKO web site at [www.siko.de](http://www.siko.de).



BOTECA



**ART. K901**

## SOLID CONTROL HANDWHEEL FOR BUILT-IN POSITION INDICATOR AND LOCKING HANDWHEEL

**MATERIAL:**

Reinforced and stabilised polyamide.  
Oils and greases resistant.

**SURFACE:**

Satin.

**HANDWHEEL COLOUR:**

Black (RAL 9011).

**ATTACHABLE POSITION INDICATOR:**

SIKO gravity indicator type "S" or "SZ". The indicator can only be used in a vertical position (horizontal machine axle). The indicator and the d7 grub screw must be purchased separately. For further details see page 12.

(\*) SIKO position indicator S50/1 can be mounted with adapter KS80-50.

(+) SIKO position indicator S80/1 can be mounted with adapter KS120-80.

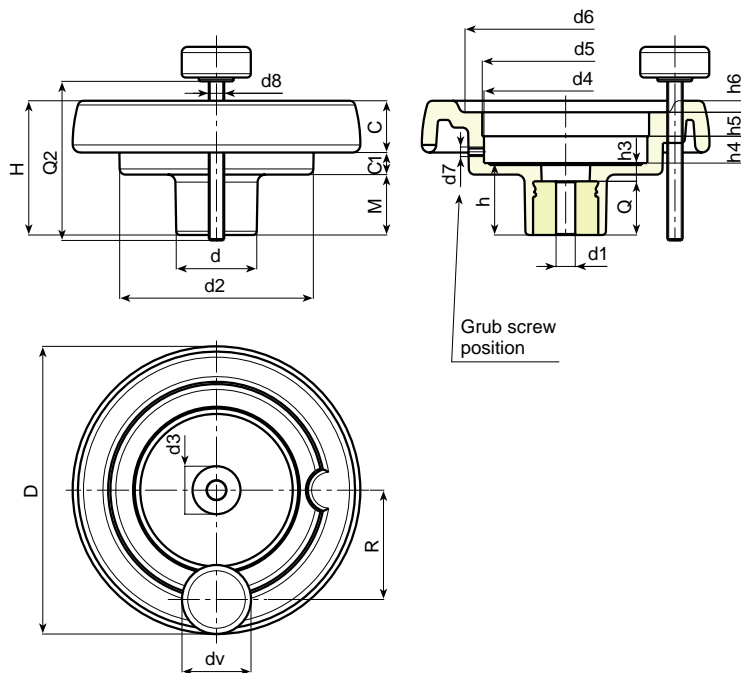
**MAIN INSERT:**

Zinc plated steel right through bored bush with H7 tolerance.

**LOCKING HANDWHEEL:**

Cylindrical handwheel G793-36 with threaded stud (see chapter G page 12). Black (RAL 9011).

**Caution:** the Q2 dimension of the handwheel must be chosen by the customer according to the dimensions of the machinery on which it will be installed. For model K901-130 the locking handwheel is replaced with the wingnut L751-32 (see chapter L page 10).



For fixing systems, or execution of tabs or square holes, please refer to the technical notes attached to the catalogue.

**SPECIAL REQUESTS:**

- It is possible to supply the inserts with d1 diameter by customer design, on request and for quantities.
- It is possible to supply the inserts in different materials, on request and for quantities.
- It is possible to supply the inserts with different treatment-finishes, on request and for quantities.
- On request and for special quantities the indicator seat can be changed.
- It is possible to supply the complete handwheel with colours as shown in the table at page 15, on request and for quantities.



Art.	D	H	d	d2	M	C	C1	d3	d4	R	d5	d6	d8	d7	h	h3	h4	h5	h6	d1 H7	dm	Q	Weight (gr)
K901-130 T80 D5.8	129	64,5	42	100	27,5	23	14	29	85,5	54	87 (S80/1) *	90	M8	M6	34	10	13,5	12,5	5	6,8 H9	20	24	370
K901-130 T80 D12	129	64,5	42	100	27,5	23	14	29	85,5	54	87 (S80/1) *	90	M8	M6	34	10	13,5	12,5	5	12	20	24	368
K901-150 T80 D6.8	149	69	42	101	31	25,5	12,5	29	85,5	57	87 (S80/1) *	106	M8	M6	37	9	13,5	12,5	6,5	6,8 H9	20	28	470
K901-150 T80 D14	149	69	42	101	31	25,5	12,5	29	85,5	57	87 (S80/1) *	106	M8	M6	37	9	13,5	12,5	6,5	14	20	28	467
K901-175 T80 D6.8	175	72	40	115	28,5	32	11,5	25	85,5	60	87 (S80/1) *	126,5	M8	M6	38	10	12,5	14	8	6,8 H9	20	28	690
K901-175 T80 D16	175	72	40	115	28,5	32	11,5	25	85,5	60	87 (S80/1) *	126,5	M8	M6	38	10	12,5	14	8	16	20	28	685
K901-200 T120 D6.8	199	71	46	137	24	32	15	29	124	74	125,5 (S120/1) +	144	M8	M6	34	11	13,5	12,5	10	6,8 H9	22	23	850
K901-200 T120 D20	199	71	46	137	24	32	15	29	124	74	125,5 (S120/1) +	144	M8	M6	34	11	13,5	12,5	10	20	22	23	843

Q2 = On request.

dv = 36 mm (K901-130 dv = 32 mm).

It's possible to increase the hole, by boring, until dm.

Next to the d5 diameter is shown a mountable Siko indicator. For information on the indicator visit the SIKO web site at [www.siko.de](http://www.siko.de).



**BOTECA**



ART. K901

## SOLID CONTROL HANDWHEEL FOR BUILT-IN POSITION INDICATOR AND LOCKING HANDWHEEL

**MATERIAL:**

Reinforced and stabilised polyamide.  
Oils and greases resistant.

**SURFACE:**

Satin.

**HANDWHEEL COLOUR:**

Black (RAL 9011).

**ATTACHABLE POSITION INDICATOR:**

SIKO gravity indicator type "S" or "SZ". The indicator can only be used in a vertical position (horizontal machine axle). The indicator and the d7 grub screw must be purchased separately. For further details see page 12.

(\*) SIKO position indicator S50/1 can be mounted with adapter KS80-50.

(+) SIKO position indicator S80/1 can be mounted with adapter KS120-80.

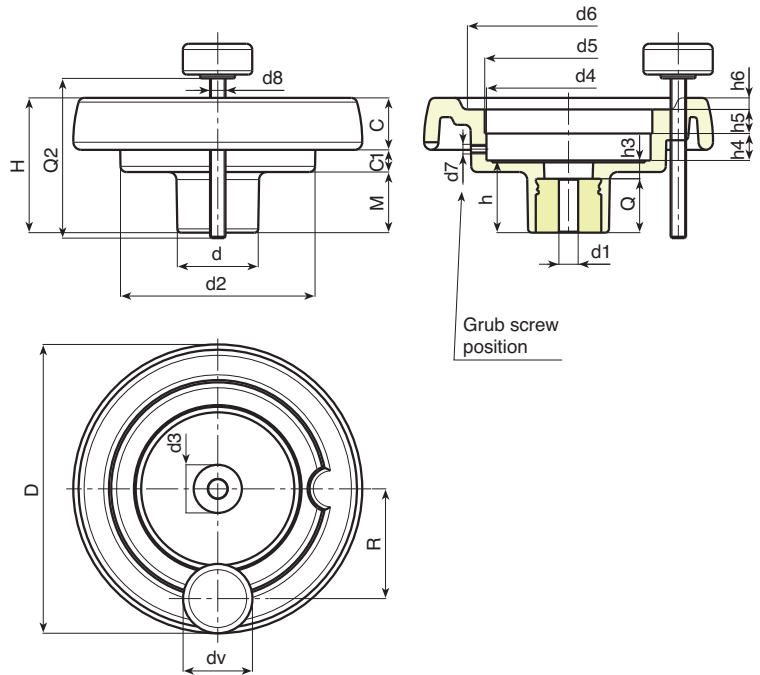
**MAIN INSERT:**

Zinc plated steel right through bored bush with H7 tolerance.

**LOCKING HANDWHEEL:**

Cylindrical handwheel G793-36 with threaded stud (see chapter G page 12). Black (RAL 9011).

**Caution:** the Q2 dimension of the handwheel must be chosen by the customer according to the dimensions of the machinery on which it will be installed. For model K901-130 the locking handwheel is replaced with the wingnut L751-32 (see chapter L page 10).



For fixing systems, or execution of tabs or square holes, please refer to the technical notes attached to the catalogue.

**SPECIAL REQUESTS:**

- It is possible to supply the inserts with d1 diameter by customer design, on request and for quantities.
- It is possible to supply the inserts in different materials, on request and for quantities.
- It is possible to supply the inserts with different treatment-finishes, on request and for quantities.
- On request and for special quantities the indicator seat can be changed.
- It is possible to supply the complete handwheel with colours as shown in the table at page 15, on request and for quantities.



Art.	D	H	d	d2	M	C	C1	d3	d4	R	d5	d6	d8	d7	h	h3	h4	h5	h6	d1	H7	dm	Q	Weight (gr)
K901-130 T80 5/16	5,08	2,54	1,65	3,94	1,08	0,91	0,55	1,14	#	2,13	# (S80/1) *	3,54	M8	M6	1,34	0,39	#	#	0,20	5/16	0,79	0,94	370	
K901-130 T80 1/2	5,08	2,54	1,65	3,94	1,08	0,91	0,55	1,14	#	2,13	# (S80/1) *	3,54	M8	M6	1,34	0,39	#	#	0,20	1/2	0,79	0,94	368	
K901-150 T80 5/16	5,87	2,72	1,65	3,98	1,22	1,00	0,49	1,14	#	2,24	# (S80/1) *	4,17	M8	M6	1,46	0,35	#	#	0,26	5/16	0,79	1,10	470	
K901-150 T80 1/2	5,87	2,72	1,65	3,98	1,22	1,00	0,49	1,14	#	2,24	# (S80/1) *	4,17	M8	M6	1,46	0,35	#	#	0,26	1/2	0,79	1,10	467	
K901-175 T80 5/16	6,89	2,83	1,57	4,53	1,12	1,26	0,45	0,98	#	2,36	# (S80/1) *	4,98	M8	M6	1,50	0,39	#	#	0,31	5/16	0,79	1,10	690	
K901-175 T80 5/8	6,89	2,83	1,57	4,53	1,12	1,26	0,45	0,98	#	2,36	# (S80/1) *	4,98	M8	M6	1,50	0,39	#	#	0,31	5/8	0,79	1,10	685	
K901-200 T120 5/16	7,83	2,80	1,81	5,39	0,94	1,26	0,59	1,14	#	2,91	# (S120/1) +	5,67	M8	M6	1,34	0,43	#	#	0,39	5/16	0,87	0,91	850	
K901-200 T120 3/4	7,83	2,80	1,81	5,39	0,94	1,26	0,59	1,14	#	2,91	# (S120/1) +	5,67	M8	M6	1,34	0,43	#	#	0,39	3/4	0,87	0,91	843	

# Fixed sizes for Siko indicators

Q2 = On request.

dv = 1,42 inch (K901-130 dv = 1,26 inch).

It's possible to increase the hole, by boring, until dm.

Next to the d5 diameter is shown a mountable Siko indicator. For information on the indicator visit the SIKO web site at [www.siko.de](http://www.siko.de).



# ART. K902

## SOLID CONTROL HANDWHEEL FOR BUILT-IN POSITION INDICATOR WITH REVOLVING HANDLE

### MATERIAL:

Reinforced and stabilised polyamide.  
Oils and greases resistant.

### SURFACE:

Satin.

### HANDWHEEL AND HANDLE COLOUR:

Black (RAL 9011).

### ATTACHABLE POSITION INDICATOR:

SIKO gravity indicator type "S" or "SZ". The indicator can only be used in a vertical position (horizontal machine axle). The indicator and the d7 grub screw must be purchased separately. For further details see page 12.

(\*) SIKO position indicator S50/1 can be mounted with adapter KS80-50.

(+) SIKO position indicator S80/1 can be mounted with adapter KS120-80.

### MAIN INSERT:

Zinc plated steel right through bored bush with H7 tolerance.

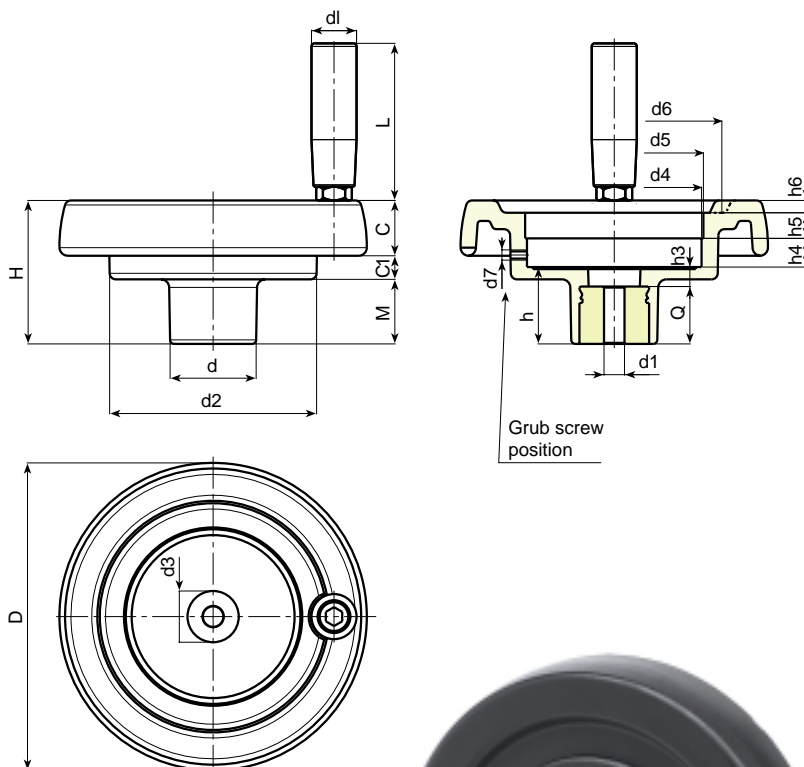
### SIDE INSERT:

Brass right through threaded bush.

### SIDE HANDLE:

Revolving handle Art. M144 (see chapter M on page 6).

For fixing systems, or execution of tabs or square holes, please refer to the technical notes attached to the catalogue.



### SPECIAL REQUESTS:

- It is possible to supply the inserts with d1 diameter by customer design, on request and for quantities.
- It is possible to supply the inserts in different materials, on request and for quantities.
- It is possible to supply the inserts with different treatment-finishes, on request and for quantities.
- On request and for special quantities the indicator seat can be changed.
- It is possible to supply the complete handwheel with colours as shown in the table at page 15, on request and for quantities.

Art.	D	H	d	d2	M	C	C1	d3	d4	d5	d6	d7	h	h3	h4	h5	h6	d1 H7	dm	Q	dl	L	Weight (gr)
K902-87 T50 D5.8	86	53	32	62	21	17	15	20	50,5	52 (S50/1)	63	M6	26,5	6,5	11,5	12	3	5,8 H9	12	20	20	56	185
K902-87 T50 D10	86	53	32	62	21	17	15	20	50,5	52 (S50/1)	63	M6	26,5	6,5	11,5	12	3	10	12	20	20	56	185
K902-100 T50 D6.8	99	55,5	32	63	23,5	20,5	11,5	20	50,5	52 (S50/1)	68	M6	29	9	11,5	12	3,5	6,8 H9	12	20	20	56	200
K902-100 T50 D10	99	55,5	32	63	23,5	20,5	11,5	20	50,5	52 (S50/1)	68	M6	29	9	11,5	12	3,5	10	12	20	20	56	200
K902-130 T80 D6.8	129	64,5	42	100	27,5	23	14	29	85,5	87 (S80/1) *	90	M6	34	10	13,5	12,5	5	6,8 H9	20	24	21	65	406
K902-130 T80 D12	129	64,5	42	100	27,5	23	14	29	85,5	87 (S80/1) *	90	M6	34	10	13,5	12,5	5	12	20	24	21	65	404
K902-150 T80 D6.8	149	69	42	101	31	25,5	12,5	29	85,5	87 (S80/1) *	106	M6	37	9	13,5	12,5	6,5	6,8 H9	20	28	23	76	530
K902-150 T80 D14	149	69	42	101	31	25,5	12,5	29	85,5	87 (S80/1) *	106	M6	37	9	13,5	12,5	6,5	14	20	28	23	76	527
K902-175 T80 D6.8	175	72	40	115	28,5	32	11,5	25	85,5	87 (S80/1) *	126,5	M6	38	10	12,5	14	8	6,8 H9	20	28	25	86	760
K902-175 T80 D16	175	72	40	115	28,5	32	11,5	25	85,5	87 (S80/1) *	126,5	M6	38	10	12,5	14	8	16	20	28	25	86	755
K902-200 T120 D6.8	199	71	46	137	24	32	15	29	124	125,5 (S120/1) +	144	M6	34	11	13,5	12,5	10	6,8 H9	22	23	25	86	920
K902-200 T120 D20	199	71	46	137	24	32	15	29	124	125,5 (S120/1) +	144	M6	34	11	13,5	12,5	10	20	22	23	25	86	914

It's possible to increase the hole, by boring, until dm.

Next to the d5 diameter is shown a mountable Siko indicator. For information on the indicator visit the SIKO web site at [www.siko.de](http://www.siko.de).



BOTECA



## ALTERNATIVES

ART. K907



ART. K906



ART. K908



STANDARD ART. K SERIES



### ART. K907

#### SOLID CONTROL HANDWHEEL FOR POSITION INDICATOR WITH REVOLVING HANDLE M145

Art.	D	d1	L	Weight (gr)	OTHER VALUES
K907-87	86	20	55	187	see table K902
K907-100	99	20	55	205	see table K902
K907-130	129	23	66	424	see table K902
K907-150	149	25	76	516	see table K902
K907-175	175	25	87	745	see table K902
K907-200	199	25	87	900	see table K902

**SIDE HANDLE:**

Revolving Handle Art. M145 (see chapter M page 8).

For details of the handwheel see those for art. K902.

### ART. K906

#### SOLID CONTROL HANDWHEEL FOR POSITION INDICATOR WITH REVOLVING HANDLE M129

Art.	D	d1	L	Weight (gr)	OTHER VALUES
K906-87	86	20	52	197	see table K902
K906-100	99	20	52	212	see table K902
K906-130	129	23	62	410	see table K902
K906-150	149	25	72	522	see table K902
K906-175	175	25	81	750	see table K902
K906-200	199	25	81	910	see table K902

**SIDE HANDLE:**

Revolving Handle Art. M129 (see chapter M page 9).

For details of the handwheel see those for art. K902.

### ART. K908

#### SOLID CONTROL HANDWHEEL FOR POSITION INDICATOR WITH REVOLVING HANDLE "EUROMODEL" M202

Art.	D	d1	L	Weight (gr)	OTHER VALUES
K908-150	149	40	64	525	see table K902
K908-175	175	40	64	745	see table K902
K908-200	199	40	64	905	see table K902

**SIDE HANDLE:**

Revolving Handle Art. M202 (see chapter M page 18).

For details of the handwheel see those for art. K902.



### STANDARD ART. K SERIES

#### BASE FOR SOLID CONTROL HANDWHEEL FOR POSITION INDICATOR WITH PROVISION FOR HANDLE

Art.	D	d1	side handle threading	Weight (gr)	OTHER VALUES
K87	86	5,8 H9	M6	155	see table K902
K100	99	6,8 H9	M6	170	see table K902
K130	129	6,8 H9	M8	350	see table K902
K150	149	6,8 H9	M10	430	see table K902
K175	175	6,8 H9	M10	650	see table K902
K200	199	6,8 H9	M10	810	see table K902

This article is recommended for distributors.

For details of the handwheel see those for art. K902.



BOTECA



ART. K902

## SOLID CONTROL HANDWHEEL FOR BUILT-IN POSITION INDICATOR WITH REVOLVING HANDLE

**MATERIAL:**

Reinforced and stabilised polyamide.  
Oils and greases resistant.

**SURFACE:**

Satin.

**HANDWHEEL AND HANDLE COLOUR:**

Black (RAL 9011).

**ATTACHABLE POSITION INDICATOR:**

SIKO gravity indicator type "S" or "SZ". The indicator can only be used in a vertical position (horizontal machine axle). The indicator and the d7 grub screw must be purchased separately. For further details see page 12.

(\*) SIKO position indicator S50/1 can be mounted with adapter KS80-50.

(+) SIKO position indicator S80/1 can be mounted with adapter KS120-80.

**MAIN INSERT:**

Zinc plated steel right through bored bush with H7 tolerance.

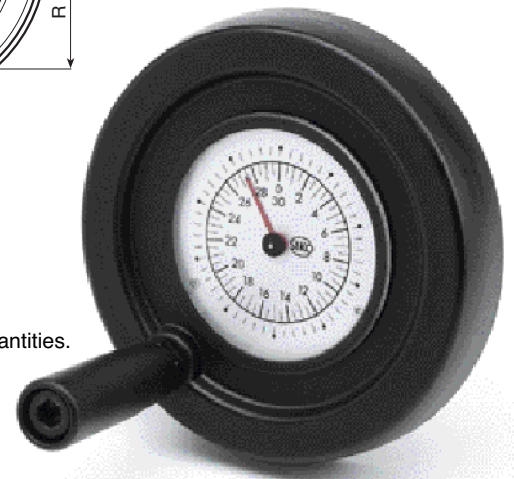
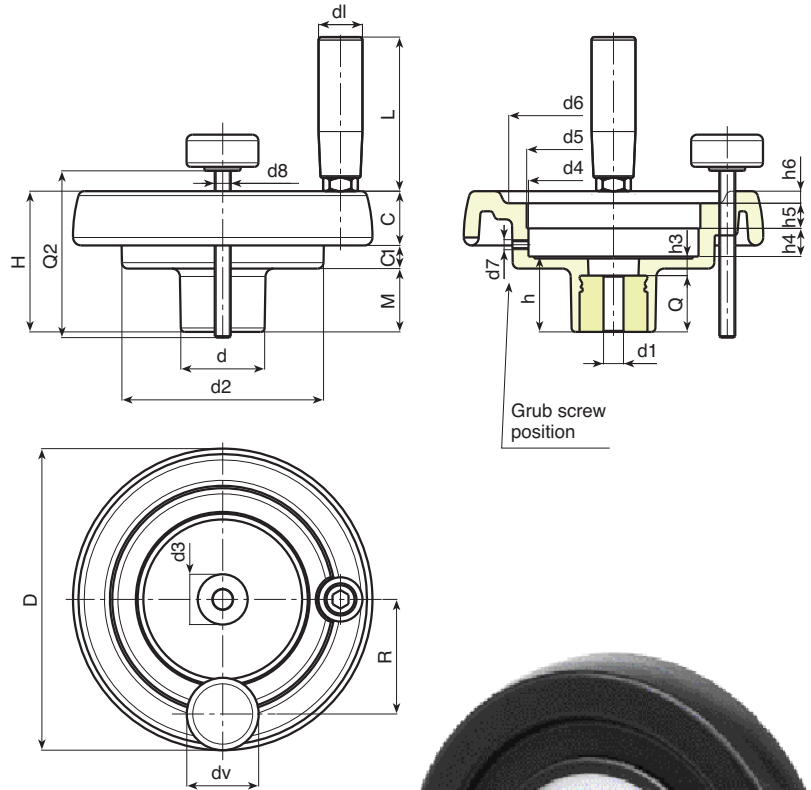
**SIDE INSERT:**

Brass right through threaded bush.

**SIDE HANDLE:**

Revolving handle Art. M144 (see chapter M on page 6).

For fixing systems, or execution of tabs or square holes, please refer to the technical notes attached to the catalogue.



**SPECIAL REQUESTS:**

- It is possible to supply the inserts with d1 diameter by customer design, on request and for quantities.
- It is possible to supply the inserts in different materials, on request and for quantities.
- It is possible to supply the inserts with different treatment-finishes, on request and for quantities.
- On request and for special quantities the indicator seat can be changed.
- It is possible to supply the complete handwheel with colours as shown in the table at page 15, on request and for quantities.

Art.	D	H	d	d2	M	C	C1	d3	d4	d5	d6	d7	h	h3	h4	h5	h6	d1 H7	dm	Q	d1	L	Weight (gr)
K902-87 T50 5/16	3,39	2,09	1,26	2,44	0,83	0,67	0,59	0,79	#	# (S50/1)	2,48	M6	1,04	0,26	#	#	0,12	5/16	0,47	0,79	0,79	56	185
K902-87 T50 3/8	3,39	2,09	1,26	2,44	0,83	0,67	0,59	0,79	#	# (S50/1)	2,48	M6	1,04	0,26	#	#	0,12	3/8	0,47	0,79	0,79	56	185
K902-100 T50 5/16	3,90	2,19	1,26	2,48	0,93	0,81	0,45	0,79	#	# (S50/1)	2,68	M6	1,14	0,35	#	#	0,14	5/16	0,47	0,79	0,79	56	200
K902-100 T50 3/8	3,90	2,19	1,26	2,48	0,93	0,81	0,45	0,79	#	# (S50/1)	2,68	M6	1,14	0,35	#	#	0,14	3/8	0,47	0,79	0,79	56	200
K902-130 T80 5/16	5,08	2,54	1,65	3,94	1,08	0,91	0,55	1,14	#	# (S80/1) *	3,54	M6	1,34	0,39	#	#	0,20	5/16	0,79	0,94	0,83	65	406
K902-130 T80 1/2	5,08	2,54	1,65	3,94	1,08	0,91	0,55	1,14	#	# (S80/1) *	3,54	M6	1,34	0,39	#	#	0,20	1/2	0,79	0,94	0,83	65	404
K902-150 T80 5/16	5,87	2,72	1,65	3,98	1,22	1,00	0,49	1,14	#	# (S80/1) *	4,17	M6	1,46	0,35	#	#	0,26	5/16	0,79	1,10	0,91	76	530
K902-150 T80 1/2	5,87	2,72	1,65	3,98	1,22	1,00	0,49	1,14	#	# (S80/1) *	4,17	M6	1,46	0,35	#	#	0,26	1/2	0,79	1,10	0,91	76	527
K902-175 T80 5/16	6,89	2,83	1,57	4,53	1,12	1,26	0,45	0,98	#	# (S80/1) *	4,98	M6	1,50	0,39	#	#	0,31	5/16	0,79	1,10	0,98	86	760
K902-175 T80 5/8	6,89	2,83	1,57	4,53	1,12	1,26	0,45	0,98	#	# (S80/1) *	4,98	M6	1,50	0,39	#	#	0,31	5/8	0,79	1,10	0,98	86	755
K902-200 T120 5/16	7,83	2,80	1,81	5,39	0,94	1,26	0,59	1,14	#	# (S120/1) +	5,67	M6	1,34	0,43	#	#	0,39	5/16	0,87	0,91	0,98	86	920
K902-200 T120 3/4	7,83	2,80	1,81	5,39	0,94	1,26	0,59	1,14	#	# (S120/1) +	5,67	M6	1,34	0,43	#	#	0,39	3/4	0,87	0,91	0,98	86	914

# Fixed sizes for Siko indicators

It's possible to increase the hole, by boring, until dm.

Next to the d5 diameter is shown a mountable Siko indicator. For information on the indicator visit the SIKO web site at [www.siko.de](http://www.siko.de).

## OPTIONS



ART. K907



ART. K906



ART. K908



STANDARD ART. K SERIES



### ART. K907

**SOLID CONTROL HANDWHEEL FOR POSITION INDICATOR WITH REVOLVING HANDLE M145**

Art.	D	d1	L	Weight (gr)	OTHER VALUES
K907-87	3,39	0,79	2,17	187	see table K902
K907-100	3,90	0,79	2,17	205	see table K902
K907-130	5,08	0,91	2,60	424	see table K902
K907-150	5,87	0,98	2,99	516	see table K902
K907-175	6,89	0,98	3,43	745	see table K902
K907-200	7,83	0,98	3,43	900	see table K902

**SIDE HANDLE:**

Revolving Handle Art. M145 (see chapter M page 8).

For details of the handwheel see those for art. K902.

### ART. K906

**SOLID CONTROL HANDWHEEL FOR POSITION INDICATOR WITH REVOLVING HANDLE M129**

Art.	D	d1	L	Weight (gr)	OTHER VALUES
K906-87	3,39	0,79	2,05	197	see table K902
K906-100	3,90	0,79	2,05	212	see table K902
K906-130	5,08	0,91	2,44	410	see table K902
K906-150	5,87	0,98	2,83	522	see table K902
K906-175	6,89	0,98	3,19	750	see table K902
K906-200	7,83	0,98	3,19	910	see table K902

**SIDE HANDLE:**

Revolving Handle Art. M129 (see chapter M page 9).

For details of the handwheel see those for art. K902.

### ART. K908

**SOLID CONTROL HANDWHEEL FOR POSITION INDICATOR WITH REVOLVING HANDLE "EUROMODEL" M202**

Art.	D	d1	L	Weight (gr)	OTHER VALUES
K908-150	5,87	1,57	2,52	525	see table K902
K908-175	6,89	1,57	2,52	745	see table K902
K908-200	7,83	1,57	2,52	905	see table K902

**SIDE HANDLE:**

Revolving Handle Art. M202 (see chapter M page 18).

For details of the handwheel see those for art. K902.



### STANDARD ART. K SERIES

**BASE FOR SOLID CONTROL HANDWHEEL FOR POSITION INDICATOR WITH PROVISION FOR HANDLE**

Art.	D	d1	side handle threading	Weight (gr)	OTHER VALUES
K87	86	5,8 H9	M6	155	see table K902
K100	99	6,8 H9	M6	170	see table K902
K130	129	6,8 H9	M8	350	see table K902
K150	149	6,8 H9	M10	430	see table K902
K175	175	6,8 H9	M10	650	see table K902
K200	199	6,8 H9	M10	810	see table K902

This article is recommended for distributors.

For details of the handwheel see those for art. K902.

# ART. K903

## SOLID CONTROL HANDWHEEL FOR BUILT-IN POSITION INDICATOR WITH REVOLVING HANDLE AND LOCKING HANDWHEEL

### MATERIAL:

Reinforced and stabilised polyamide.  
Oils and greases resistant.

### SURFACE:

Satin.

### HANDWHEEL AND HANDLE COLOUR:

Black (RAL 9011).

### ATTACHABLE POSITION INDICATOR:

SIKO gravity indicator type "S" or "SZ". The indicator can only be used in a vertical position (horizontal machine axle). The indicator and the d7 grub screw must be purchased separately. For further details see page 12.

(\*) SIKO position indicator S50/1 can be mounted with adapter KS80-50.

(+) SIKO position indicator S80/1 can be mounted with adapter KS120-80.

### MAIN INSERT:

Zinc plated steel right through bored bush with H7 tolerance.

### SIDE INSERT:

Brass right through threaded bush.

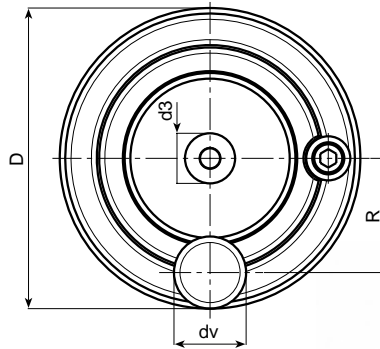
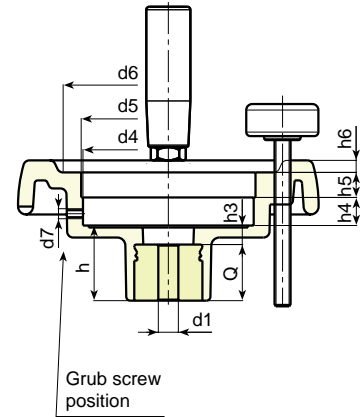
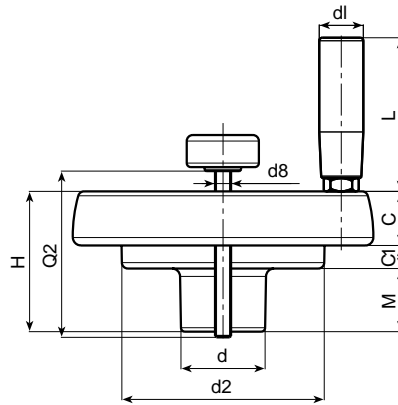
### SIDE HANDLE:

Revolving handle Art. M144 (see chapter M on page 6).

### LOCKING HANDWHEEL:

Cylindrical handwheel G793-36 with threaded stud (see chapter G page 12). Black (RAL 9011).

**Caution:** the Q2 dimension of the handwheel must be chosen by the customer according to the dimensions of the machinery on which it will be installed. For model K903-130 the locking handwheel is replaced with the wingnut L751-32 (see chapter L page 10).



For fixing systems, or execution of tabs or square holes, please refer to the technical notes attached to the catalogue.

### SPECIAL REQUESTS:

- It is possible to supply the inserts with d1 diameter by customer design, on request and for quantities.
- It is possible to supply the inserts in different materials, on request and for quantities.
- It is possible to supply the inserts with different treatment-finishes, on request and for quantities.
- On request and for special quantities the indicator seat can be changed.
- It is possible to supply the complete handwheel with colours as shown in the table at page 15, on request and for quantities.

Art.	D	H	d	d2	M	C	C1	d3	d4	R	d5	d6	d8	d7	h	h3	h4	h5	h6	d1 H7	dm	Q	d1	L	Weight (gr)
K903-130 T80 D5.8	129	64,5	42	100	27,5	23	14	29	85,5	54	87 (S80/1) *	90	M8	M6	34	10	13,5	12,5	5	6,8 H9	20	24	21	65	426
K903-130 T80 D12	129	64,5	42	100	27,5	23	14	29	85,5	54	87 (S80/1) *	90	M8	M6	34	10	13,5	12,5	5	12	20	24	21	65	424
K903-150 T80 D6.8	149	69	42	101	31	25,5	12,5	29	85,5	57	87 (S80/1) *	106	M8	M6	37	9	13,5	12,5	6,5	6,8 H9	20	28	23	76	555
K903-150 T80 D14	149	69	42	101	31	25,5	12,5	29	85,5	57	87 (S80/1) *	106	M8	M6	37	9	13,5	12,5	6,5	14	20	28	23	76	550
K903-175 T80 D6.8	175	72	40	115	28,5	32	11,5	25	85,5	60	87 (S80/1) *	126,5	M8	M6	38	10	12,5	14	8	6,8 H9	20	28	25	86	782
K903-175 T80 D16	175	72	40	115	28,5	32	11,5	25	85,5	60	87 (S80/1) *	126,5	M8	M6	38	10	12,5	14	8	16	20	28	25	86	777
K903-200 T120 D6.8	199	71	46	137	24	32	15	29	124	74	125,5 (S120/1) +	144	M8	M6	34	11	13,5	12,5	10	6,8 H9	22	23	25	86	950
K903-200 T120 D20	199	71	46	137	24	32	15	29	124	74	125,5 (S120/1) +	144	M8	M6	34	11	13,5	12,5	10	20	22	23	25	86	943

Q2 = On request.

dv = 36 mm (K903-130 dv = 32 mm).

It's possible to increase the hole, by boring, until dm.

Next to the d5 diameter is shown a mountable Siko indicator. For information on the indicator visit the SIKO web site at [www.siko.de](http://www.siko.de).



BOTECA

# SOLID CONTROL HANDWHEEL FOR BUILT-IN POSITION INDICATOR WITH REVOLVING HANDLE AND LOCKING HANDWHEEL

**MATERIAL:**

Reinforced and stabilised polyamide.  
Oils and greases resistant.

**SURFACE:**

Satin.

**HANDWHEEL AND HANDLE COLOUR:**

Black (RAL 9011).

**ATTACHABLE POSITION INDICATOR:**

SIKO gravity indicator type "S" or "SZ". The indicator can only be used in a vertical position (horizontal machine axle). The indicator and the d7 grub screw must be purchased separately. For further details see page 12.

(\*) SIKO position indicator S50/1 can be mounted with adapter KS80-50.

(+) SIKO position indicator S80/1 can be mounted with adapter KS120-80.

**MAIN INSERT:**

Zinc plated steel right through bored bush with H7 tolerance.

**SIDE INSERT:**

Brass right through threaded bush.

**SIDE HANDLE:**

Revolving handle Art. M144 (see chapter M on page 6).

**LOCKING HANDWHEEL:**

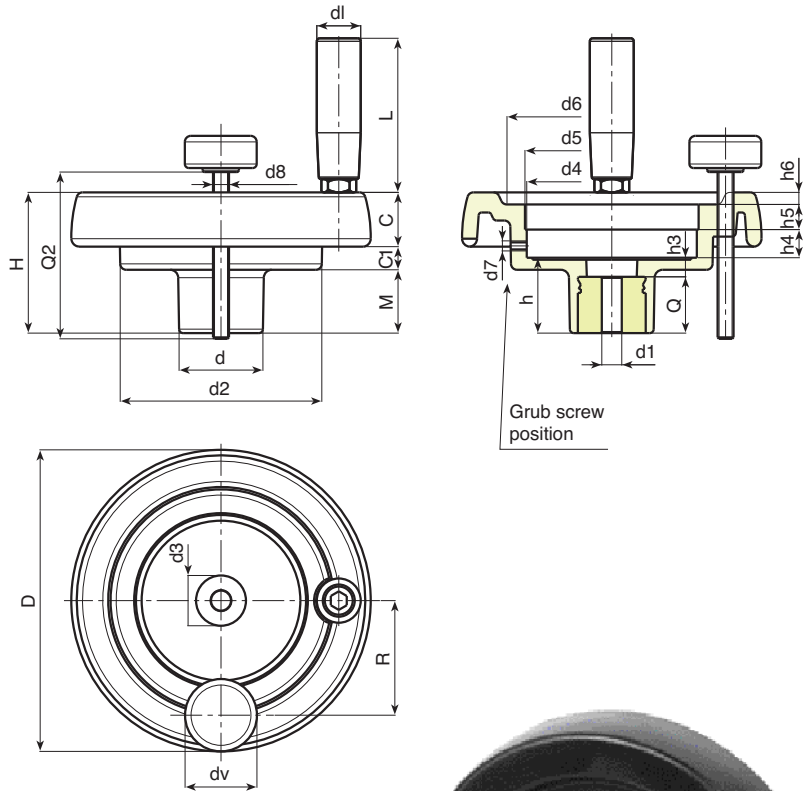
Cylindrical handwheel G793-36 with threaded stud (see chapter G page 12). Black (RAL 9011).

**Caution:** the Q2 dimension of the handwheel must be chosen by the customer according to the dimensions of the machinery on which it will be installed. For model K903-130 the locking handwheel is replaced with the wingnut L751-32 (see chapter L page 10).

For fixing systems, or execution of tabs or square holes, please refer to the technical notes attached to the catalogue.

**SPECIAL REQUESTS:**

- It is possible to supply the inserts with d1 diameter by customer design, on request and for quantities.
- It is possible to supply the inserts in different materials, on request and for quantities.
- It is possible to supply the inserts with different treatment-finishes, on request and for quantities.
- On request and for special quantities the indicator seat can be changed.
- It is possible to supply the complete handwheel with colours as shown in the table at page 15, on request and for quantities.



Art.	D	H	d	d2	M	C	C1	d3	d4	R	d5	d6	d8	d7	h	h3	h4	h5	h6	d1 H7	dm	Q	d1	L	Weight (gr)
K903-130 T80 5/16	5,08	2,54	1,65	3,94	1,08	0,91	0,55	1,14	#	2,13	# (S80/1) *	3,54	M8	M6	1,34	0,39	#	#	0,20	5/16	0,79	0,94	0,83	2,56	426
K903-130 T80 5/16	5,08	2,54	1,65	3,94	1,08	0,91	0,55	1,14	#	2,13	# (S80/1) *	3,54	M8	M6	1,34	0,39	#	#	0,20	5/16	0,79	0,94	0,83	2,56	424
K903-150 T80 5/16	5,87	2,72	1,65	3,98	1,22	1,00	0,49	1,14	#	2,24	# (S80/1) *	4,17	M8	M6	1,46	0,35	#	#	0,26	5/16	0,79	1,10	0,91	2,99	555
K903-150 T80 5/16	5,87	2,72	1,65	3,98	1,22	1,00	0,49	1,14	#	2,24	# (S80/1) *	4,17	M8	M6	1,46	0,35	#	#	0,26	5/16	0,79	1,10	0,91	2,99	550
K903-175 T80 5/16	6,89	2,83	1,57	4,53	1,12	1,26	0,45	0,98	#	2,36	# (S80/1) *	126,5	M8	M6	1,50	0,39	#	#	0,31	5/16	0,79	1,10	0,98	3,39	782
K903-175 T80 5/16	6,89	2,83	1,57	4,53	1,12	1,26	0,45	0,98	#	2,36	# (S80/1) *	126,5	M8	M6	1,50	0,39	#	#	0,31	5/16	0,79	1,10	0,98	3,39	777
K903-200 T120 5/16	7,83	2,80	1,81	5,39	0,94	1,26	0,59	1,14	#	2,91	# (S120/1) +	144	M8	M6	1,34	0,43	#	#	0,39	5/16	0,87	0,91	0,98	3,39	950
K903-200 T120 5/16	7,83	2,80	1,81	5,39	0,94	1,26	0,59	1,14	#	2,91	# (S120/1) +	144	M8	M6	1,34	0,43	#	#	0,39	5/16	0,87	0,91	0,98	3,39	943

# Fixed sizes for Siko indicators

Q2 = On request.

dv = 1,42 inch (K903-130 dv = 1,26 inch).

It's possible to increase the hole, by boring, until dm.

Next to the d5 diameter is shown a mountable Siko indicator. For information on the indicator visit the SIKO web site at [www.siko.de](http://www.siko.de).



BOTELO



# ART. K904

## SOLID CONTROL HANDWHEEL FOR BUILT-IN POSITION INDICATOR WITH REVOLVING, FOLDING HANDLE

### MATERIAL:

Reinforced and stabilised polyamide.  
Oils and greases resistant.

### SURFACE:

Satin.

### HANDWHEEL AND HANDLE COLOUR:

Black (RAL 9011).

### ATTACHABLE POSITION INDICATOR:

SIKO gravity indicator type "S" or "SZ". The indicator can only be used in a vertical position (horizontal machine axle). The indicator and the d7 grub screw must be purchased separately. For further details see page 12.

(\*) SIKO position indicator S50/1 can be mounted with adapter KS80-50.

(+) SIKO position indicator S80/1 can be mounted with adapter KS120-80.

### MAIN INSERT:

Zinc plated steel right through bored bush with H7 tolerance.

### SIDE INSERT:

Brass right through threaded bush.

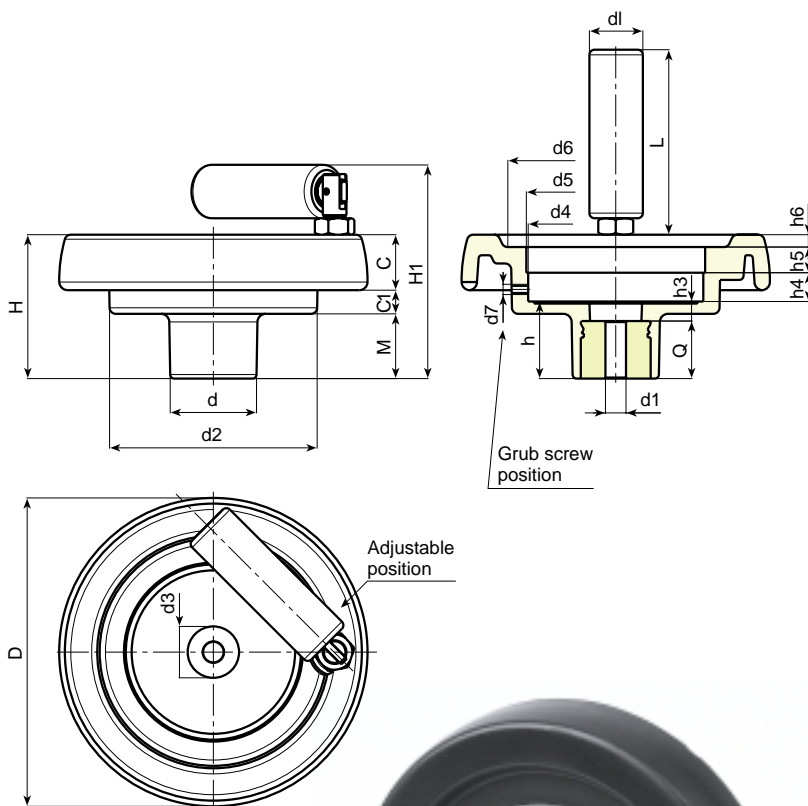
### SIDE HANDLE:

Revolving handle and folding Art. M136 (see chapter M on page 10).

For fixing systems, or execution of tabs or square holes, please refer to the technical notes attached to the catalogue.

### SPECIAL REQUESTS:

- It is possible to supply the inserts with d1 diameter by customer design, on request and for quantities.
- It is possible to supply the inserts in different materials, on request and for quantities.
- It is possible to supply the inserts with different treatment-finishes, on request and for quantities.
- On request and for special quantities the indicator seat can be changed.
- It is possible to supply the complete handwheel with colours as shown in the table at page 15, on request and for quantities.



Art.	D	H	d	d2	M	C	C1	d3	d4	d5	d6	d7	h	h3	h4	h5	h6	d1 H7	dm	Q	d1	L	H1	Weight (gr)
K904-87 T50 D5.8	86	53	32	62	21	17	15	20	50,5	52 (S50/1)	63	M6	26,5	6,5	11,5	12	3	5,8 H9	12	20	20	56	77	194
K904-87 T50 D10	86	53	32	62	21	17	15	20	50,5	52 (S50/1)	63	M6	26,5	6,5	11,5	12	3	10	12	20	20	56	77	194
K904-100 T50 D6.8	99	55,5	32	63	23,5	20,5	11,5	20	50,5	52 (S50/1)	68	M6	29	9	11,5	12	3,5	6,8 H9	12	20	20	56	80	209
K904-100 T50 D10	99	55,5	32	63	23,5	20,5	11,5	20	50,5	52 (S50/1)	68	M6	29	9	11,5	12	3,5	10	12	20	20	56	80	209
K904-130 T80 D6.8	129	64,5	42	100	27,5	23	14	29	85,5	87 (S80/1) *	90	M6	34	10	13,5	12,5	5	6,8 H9	20	24	25	76	94	421
K904-130 T80 D12	129	64,5	42	100	27,5	23	14	29	85,5	87 (S80/1) *	90	M6	34	10	13,5	12,5	5	12	20	24	26	89	94	419
K904-150 T80 D6.8	149	69	42	101	31	25,5	12,5	29	85,5	87 (S80/1) *	106	M6	37	9	13,5	12,5	6,5	6,8 H9	20	28	26	89	104	582
K904-150 T80 D14	149	69	42	101	31	25,5	12,5	29	85,5	87 (S80/1) *	106	M6	37	9	13,5	12,5	6,5	14	20	28	26	89	104	579
K904-175 T80 D6.8	175	72	40	115	28,5	32	11,5	25	85,5	87 (S80/1) *	126,5	M6	38	10	12,5	14	8	6,8 H9	20	28	26	89	107	800
K904-175 T80 D16	175	72	40	115	28,5	32	11,5	25	85,5	87 (S80/1) *	126,5	M6	38	10	12,5	14	8	16	20	28	26	89	107	795
K904-200 T120 D6.8	199	71	46	137	24	32	15	29	124	125,5 (S120/1) +	144	M6	34	11	13,5	12,5	10	6,8 H9	22	23	26	97	106	970
K904-200 T120 D20	199	71	46	137	24	32	15	29	124	125,5 (S120/1) +	144	M6	34	11	13,5	12,5	10	20	22	23	26	97	106	964

It's possible to increase the hole, by boring, until dm.

Next to the d5 diameter is shown a mountable Siko indicator. For information on the indicator visit the SIKO web site at [www.siko.de](http://www.siko.de).



BOTECA



# SOLID CONTROL HANDWHEEL FOR BUILT-IN POSITION INDICATOR WITH REVOLVING, FOLDING HANDLE

**MATERIAL:**

Reinforced and stabilised polyamide.  
Oils and greases resistant.

**SURFACE:**

Satin.

**HANDWHEEL AND HANDLE COLOUR:**

Black (RAL 9011).

**ATTACHABLE POSITION INDICATOR:**

SIKO gravity indicator type "S" or "SZ". The indicator can only be used in a vertical position (horizontal machine axle). The indicator and the d7 grub screw must be purchased separately. For further details see page 12.

(\*) SIKO position indicator S50/1 can be mounted with adapter KS80-50.

(+) SIKO position indicator S80/1 can be mounted with adapter KS120-80.

**MAIN INSERT:**

Zinc plated steel right through bored bush with H7 tolerance.

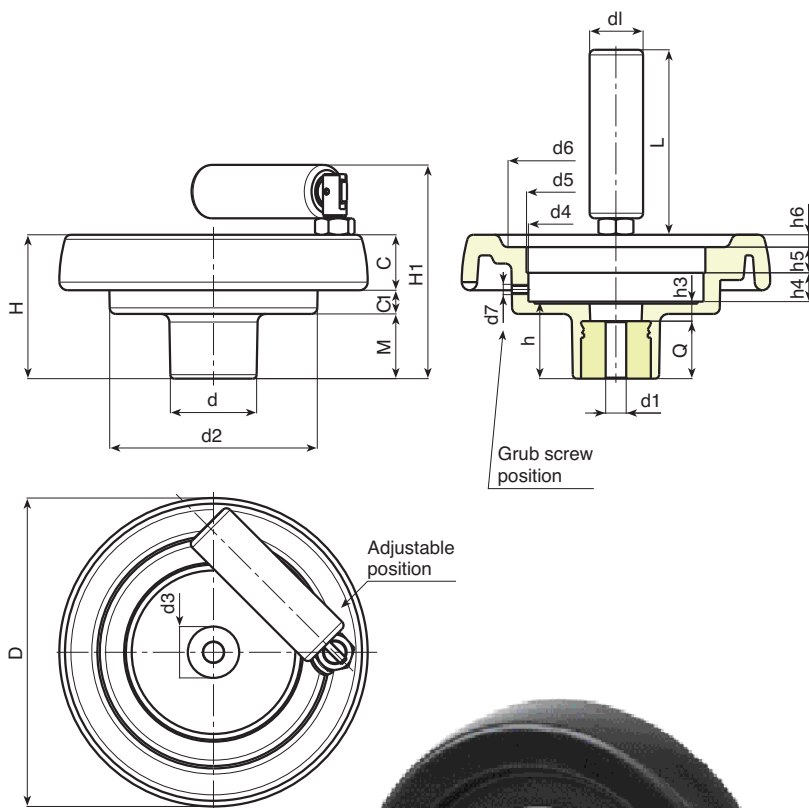
**SIDE INSERT:**

Brass right through threaded bush.

**SIDE HANDLE:**

Revolving handle and folding Art. M136 (see chapter M on page 10).

For fixing systems, or execution of tabs or square holes, please refer to the technical notes attached to the catalogue.



**SPECIAL REQUESTS:**

- It is possible to supply the inserts with d1 diameter by customer design, on request and for quantities.
- It is possible to supply the inserts in different materials, on request and for quantities.
- It is possible to supply the inserts with different treatment-finishes, on request and for quantities.
- On request and for special quantities the indicator seat can be changed.
- It is possible to supply the complete handwheel with colours as shown in the table at page 15, on request and for quantities.

Art.	D	H	d	d2	M	C	C1	d3	d4	d5	d6	d7	h	h3	h4	h5	h6	d1 H7	dm	Q	d1	L	H1	Weight (gr)
K904-87 T50 5/16	3,39	2,09	1,26	2,44	0,83	0,67	0,59	0,79	#	# (S50/1)	2,48	M6	1,04	0,26	#	#	0,12	5/16	0,47	0,79	0,79	2,20	3,03	194
K904-87 T50 3/8	3,39	2,09	1,26	2,44	0,83	0,67	0,59	0,79	#	# (S50/1)	2,48	M6	1,04	0,26	#	#	0,12	3/8	0,47	0,79	0,79	2,20	3,03	194
K904-100 T50 5/16	3,90	2,19	1,26	2,48	0,93	0,81	0,45	0,79	#	# (S50/1)	2,68	M6	1,14	0,35	#	#	0,14	5/16	0,47	0,79	0,79	2,20	3,15	209
K904-100 T50 3/8	3,90	2,19	1,26	2,48	0,93	0,81	0,45	0,79	#	# (S50/1)	2,68	M6	1,14	0,35	#	#	0,14	3/8	0,47	0,79	0,79	2,20	3,15	209
K904-130 T80 5/16	5,08	2,54	1,65	3,94	1,08	0,91	0,55	1,14	#	# (S80/1) *	3,54	M6	1,34	0,39	#	#	0,20	5/16	0,79	0,94	0,98	2,99	3,70	421
K904-130 T80 D1/2	5,08	2,54	1,65	3,94	1,08	0,91	0,55	1,14	#	# (S80/1) *	3,54	M6	1,34	0,39	#	#	0,20	1/2	0,79	0,94	1,02	3,50	3,70	419
K904-150 T80 5/16	5,87	2,72	1,65	3,98	1,22	1,00	0,49	1,14	#	# (S80/1) *	4,17	M6	1,46	0,35	#	#	0,26	5/16	0,79	1,10	1,02	3,50	4,09	582
K904-150 T80 D1/2	5,87	2,72	1,65	3,98	1,22	1,00	0,49	1,14	#	# (S80/1) *	4,17	M6	1,46	0,35	#	#	0,26	1/2	0,79	1,10	1,02	3,50	4,09	579
K904-175 T80 5/16	6,89	2,83	1,57	4,53	1,12	1,26	0,45	0,98	#	# (S80/1) *	4,98	M6	1,50	0,39	#	#	0,31	5/16	0,79	1,10	1,02	3,50	4,21	800
K904-175 T80 5/8	6,89	2,83	1,57	4,53	1,12	1,26	0,45	0,98	#	# (S80/1) *	4,98	M6	1,50	0,39	#	#	0,31	5/8	0,79	1,10	1,02	3,50	4,21	795
K904-200 T120 5/16	7,83	2,80	1,81	5,39	0,94	1,26	0,59	1,14	#	# (S120/1) +	5,67	M6	1,34	0,43	#	#	0,39	5/16	0,87	0,91	1,02	3,82	4,17	970
K904-200 T120 3/4	7,83	2,80	1,81	5,39	0,94	1,26	0,59	1,14	#	# (S120/1) +	5,67	M6	1,34	0,43	#	#	0,39	3/4	0,87	0,91	1,02	3,82	4,17	964

# Fixed sizes for Siko indicators

It's possible to increase the hole, by boring, until dm.

Next to the d5 diameter is shown a mountable Siko indicator. For information on the indicator visit the SIKO web site at [www.siko.de](http://www.siko.de).



BOTECO



# ART. K905

## SOLID CONTROL HANDWHEEL FOR BUILT-IN POSITION INDICATOR WITH REVOLVING, FOLDING HANDLE AND LOCKING HANDWHEEL

### MATERIAL:

Reinforced and stabilised polyamide.  
Oils and greases resistant.

### SURFACE:

Satin.

### HANDWHEEL AND HANDLE COLOUR:

Black (RAL 9011).

### ATTACHABLE POSITION INDICATOR:

SIKO gravity indicator type "S" or "SZ". The indicator can only be used in a vertical position (horizontal machine axle). The indicator and the d7 grub screw must be purchased separately. For further details see page 12.

(\*) SIKO position indicator S50/1 can be mounted with adapter KS80-50.

(+) SIKO position indicator S80/1 can be mounted with adapter KS120-80.

### MAIN INSERT:

Zinc plated steel right through bored bush with H7 tolerance.

### SIDE INSERT:

Brass right through threaded bush.

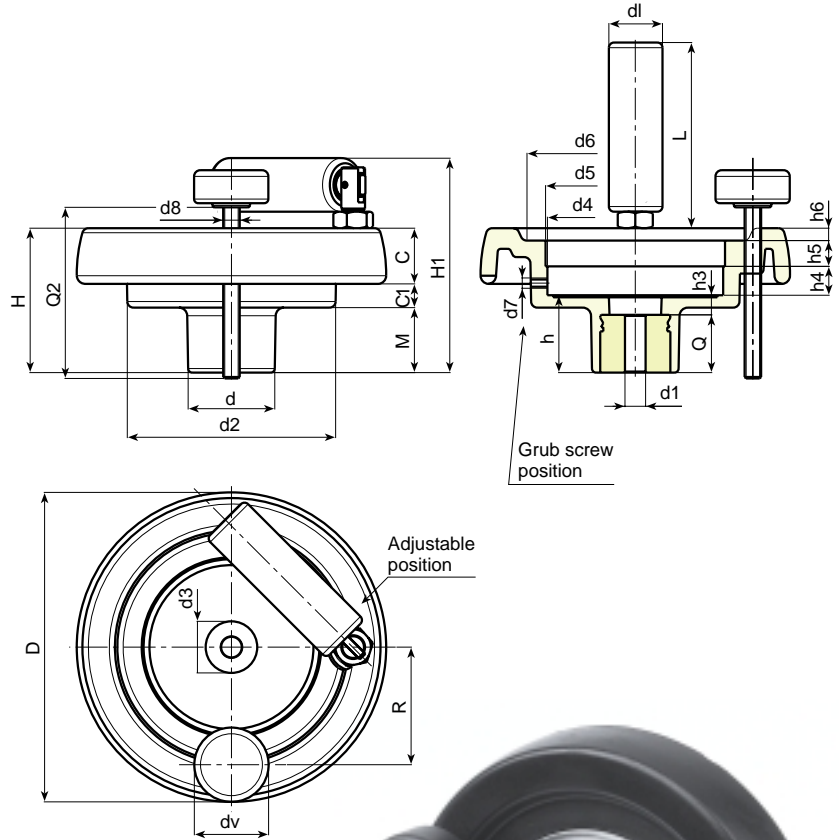
### SIDE HANDLE:

Revolving handle and folding Art. M136 (see chapter M on page 10).

### LOCKING HANDWHEEL:

Cylindrical handwheel G793-36 with threaded stud (see chapter G page 12). Black (RAL 9011).

**Caution:** the Q2 dimension of the handwheel must be chosen by the customer according to the dimensions of the machinery on which it will be installed. For model K905-130 the locking handwheel is replaced with the wingnut L751-32 (see chapter L page 10).



For fixing systems, or execution of tabs or square holes, please refer to the technical notes attached to the catalogue.

### SPECIAL REQUESTS:

- It is possible to supply the inserts with d1 diameter by customer design, on request and for quantities.
- It is possible to supply the inserts in different materials, on request and for quantities.
- It is possible to supply the inserts with different treatment-finishes, on request and for quantities.
- On request and for special quantities the indicator seat can be changed.
- It is possible to supply the complete handwheel with colours as shown in the table at page 15, on request and for quantities.

Art.	D	H	d	d2	M	C	C1	d3	d4	R	d5	d6	d8	d7	h	h3	h4	h5	h6	d1	H7	dm	Q	dl	L	H1	Weight (gr)
K905-130 T80 D5.8	129	64,5	42	100	27,5	23	14	29	85,5	54	87 (S80/1) *	90	M8	M6	34	10	13,5	12,5	5	6,8	H9	20	24	25	76	94	430
K905-130 T80 D12	129	64,5	42	100	27,5	23	14	29	85,5	54	87 (S80/1) *	90	M8	M6	34	10	13,5	12,5	5	12		20	24	25	76	94	427
K905-150 T80 D6.8	149	69	42	101	31	25,5	12,5	29	85,5	57	87 (S80/1) *	106	M8	M6	37	9	13,5	12,5	6,5	6,8	H9	20	28	26	89	104	615
K905-150 T80 D14	149	69	42	101	31	25,5	12,5	29	85,5	57	87 (S80/1) *	106	M8	M6	37	9	13,5	12,5	6,5	14		20	28	26	89	104	610
K905-175 T80 D6.8	175	72	40	115	28,5	32	11,5	25	85,5	60	87 (S80/1) *	126,5	M8	M6	38	10	12,5	14	8	6,8	H9	20	28	26	89	107	834
K905-175 T80 D16	175	72	40	115	28,5	32	11,5	25	85,5	60	87 (S80/1) *	126,5	M8	M6	38	10	12,5	14	8	16		20	28	26	89	107	829
K905-200 T120 D6.8	199	71	46	137	24	32	15	29	124	74	125,5 (S120/1) +	144	M8	M6	34	11	13,5	12,5	10	6,8	H9	22	23	26	97	106	1000
K905-200 T120 D20	199	71	46	137	24	32	15	29	124	74	125,5 (S120/1) +	144	M8	M6	34	11	13,5	12,5	10	20		22	23	26	97	106	993

Q2 = On request.

dv = 36 mm (K905-130 dv = 32 mm)..

It's possible to increase the hole, by boring, until dm.

Next to the d5 diameter is shown a mountable Siko indicator. For information on the indicator visit the SIKO web site at [www.siko.de](http://www.siko.de).



BOTECA

# SOLID CONTROL HANDWHEEL FOR BUILT-IN POSITION INDICATOR WITH REVOLVING, FOLDING HANDLE AND LOCKING HANDWHEEL

**MATERIAL:**

Reinforced and stabilised polyamide.  
Oils and greases resistant.

**SURFACE:**

Satin.

**HANDWHEEL AND HANDLE COLOUR:**

Black (RAL 9011).

**ATTACHABLE POSITION INDICATOR:**

SIKO gravity indicator type "S" or "SZ". The indicator can only be used in a vertical position (horizontal machine axle). The indicator and the d7 grub screw must be purchased separately. For further details see page 12.

(\*) SIKO position indicator S50/1 can be mounted with adapter KS80-50.

(+) SIKO position indicator S80/1 can be mounted with adapter KS120-80.

**MAIN INSERT:**

Zinc plated steel right through bored bush with H7 tolerance.

**SIDE INSERT:**

Brass right through threaded bush.

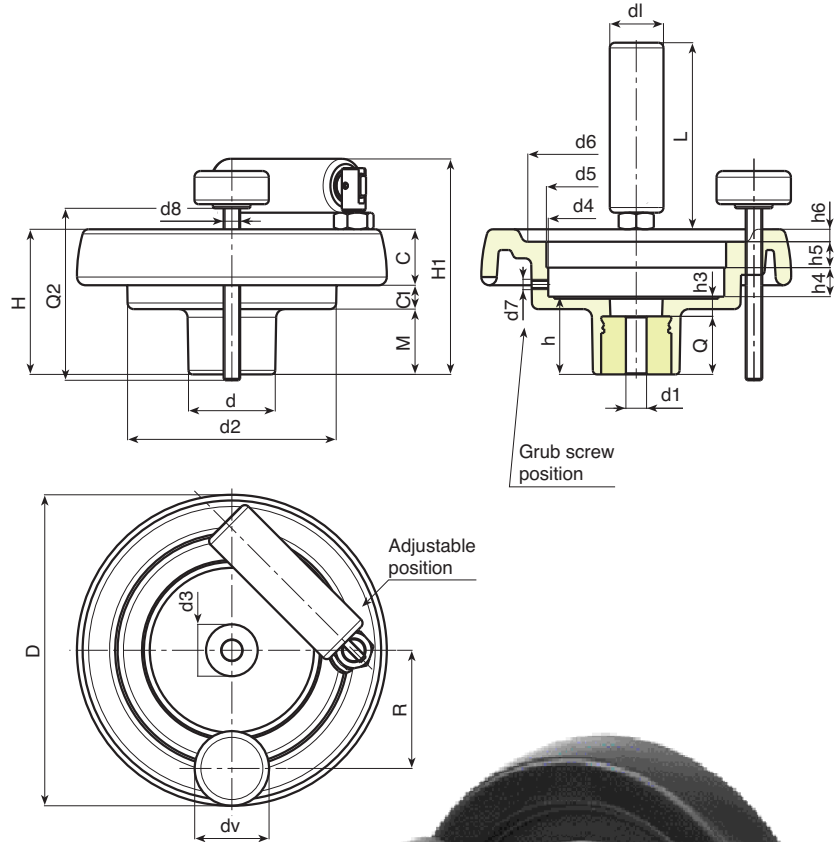
**SIDE HANDLE:**

Revolving handle and folding Art. M136 (see chapter M on page 10).

**LOCKING HANDWHEEL:**

Cylindrical handwheel G793-36 with threaded stud (see chapter G page 12). Black (RAL 9011).

**Caution:** the Q2 dimension of the handwheel must be chosen by the customer according to the dimensions of the machinery on which it will be installed. For model K905-130 the locking handwheel is replaced with the wingnut L751-32 (see chapter L page 10).



For fixing systems, or execution of tabs or square holes, please refer to the technical notes attached to the catalogue.

**SPECIAL REQUESTS:**

- It is possible to supply the inserts with d1 diameter by customer design, on request and for quantities.
- It is possible to supply the inserts in different materials, on request and for quantities.
- It is possible to supply the inserts with different treatment-finishes, on request and for quantities.
- On request and for special quantities the indicator seat can be changed.
- It is possible to supply the complete handwheel with colours as shown in the table at page 15, on request and for quantities.

Art.	D	H	d	d2	M	C	C1	d3	d4	R	d5	d6	d8	d7	h	h3	h4	h5	h6	d1 H7	dm	Q	d1	L	H1	Weight (gr)
K905-130 T80 5/16	5,08	2,54	1,65	3,94	1,08	0,91	0,55	1,14	#	2,13	# (S80/1) *	3,54	M8	M6	1,34	0,39	#	#	0,20	5/16	0,79	0,94	0,98	2,99	3,70	430
K905-130 T80 1/2	5,08	2,54	1,65	3,94	1,08	0,91	0,55	1,14	#	2,13	# (S80/1) *	3,54	M8	M6	1,34	0,39	#	#	0,20	1/2	0,79	0,94	0,98	2,99	3,70	427
K905-150 T80 5/16	5,87	2,72	1,65	3,98	1,22	1,00	0,49	1,14	#	2,24	# (S80/1) *	4,17	M8	M6	1,46	0,35	#	#	0,26	5/16	0,79	1,10	1,02	3,50	4,09	615
K905-150 T80 1/2	5,87	2,72	1,65	3,98	1,22	1,00	0,49	1,14	#	2,24	# (S80/1) *	4,17	M8	M6	1,46	0,35	#	#	0,26	1/2	0,79	1,10	1,02	3,50	4,09	610
K905-175 T80 5/16	6,89	2,83	1,57	4,53	1,12	1,26	0,45	0,98	#	2,36	# (S80/1) *	4,98	M8	M6	1,50	0,39	#	#	0,31	5/16	0,79	1,10	1,02	3,50	4,21	834
K905-175 T80 5/8	6,89	2,83	1,57	4,53	1,12	1,26	0,45	0,98	#	2,36	# (S80/1) *	4,98	M8	M6	1,50	0,39	#	#	0,31	5/8	0,79	1,10	1,02	3,50	4,21	829
K905-200 T120 5/16	7,83	2,80	1,81	5,39	0,94	1,26	0,59	1,14	#	2,91	# (S120/1) +	5,67	M8	M6	1,34	0,43	#	#	0,39	5/16	0,87	0,91	1,02	3,82	4,17	1000
K905-200 T120 3/4	7,83	2,80	1,81	5,39	0,94	1,26	0,59	1,14	#	2,91	# (S120/1) +	5,67	M8	M6	1,34	0,43	#	#	0,39	3/4	0,87	0,91	1,02	3,82	4,17	993

# Fixed sizes for Siko indicators

Q2 = On request.

dv = 1,42 inch (K905-130 dv = 1,26 inch).

It's possible to increase the hole, by boring, until dm.

Next to the d5 diameter is shown a mountable Siko indicator. For information on the indicator visit the SIKO web site at [www.siko.de](http://www.siko.de).



BOTECA





**ART. KS**

**ADAPTER FOR POSITION INDICATOR SEAT**

**MATERIAL:**

Reinforced and stabilised polyamide.  
Oils and greases resistant.

**SURFACE:**

Satin.

**COLOUR:**

Black (RAL 9011).

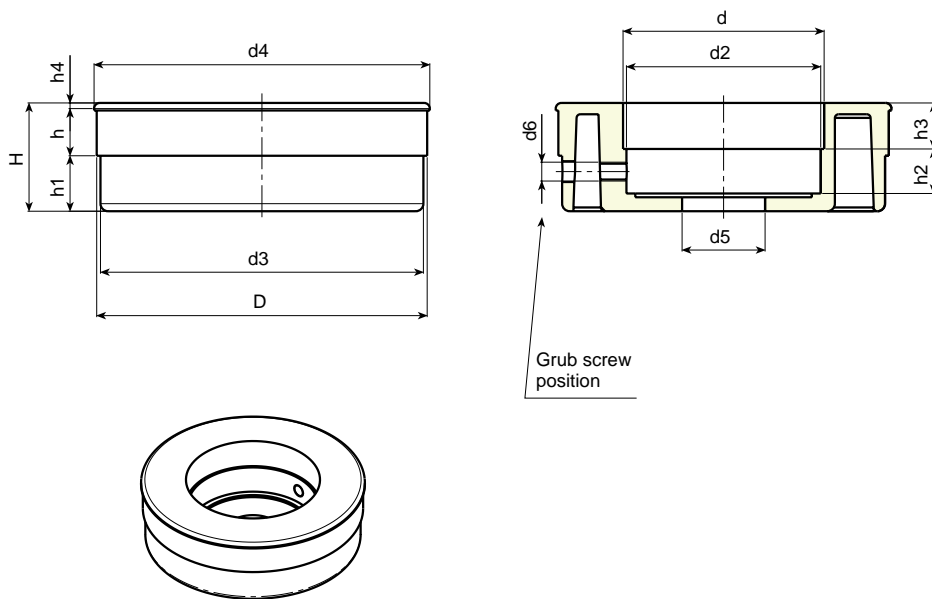
**ALTERNATIVE ADAPTOR COLOUR:**

- Orange (RAL 2004 cod. 02).
- Blue (RAL 5015 cod. 07).
- Yellow (RAL 1021 cod.10).
- Red (RAL 3000 cod.16).
- Green (RAL 6024 cod.17).
- Grey (RAL 7035 cod. 13).

**Caution:** Grub screw for indicator not supplied.

**SPECIAL REQUESTS:**

- It is possible to supply colours as shown in the table at page 15, on request and for quantities.



Art.	D	d	d2	d3	d4	d5	d6	H	h	h1	h2	h3	h4	Weight (gr)
KS080-50	86,8 (S80/1)	52 (S50/1)	51,5	85,5	89	22	M6	28,5	14	14,5	11,8	12,2	2	80
KS120-80	(S120/1)	Available from January 2005												



ART. KS

ADAPTER FOR POSITION INDICATOR SEAT

**MATERIAL:**

Reinforced and stabilised polyamide.  
Oils and greases resistant.

**SURFACE:**

Satin.

**COLOUR:**

Black (RAL 9011).

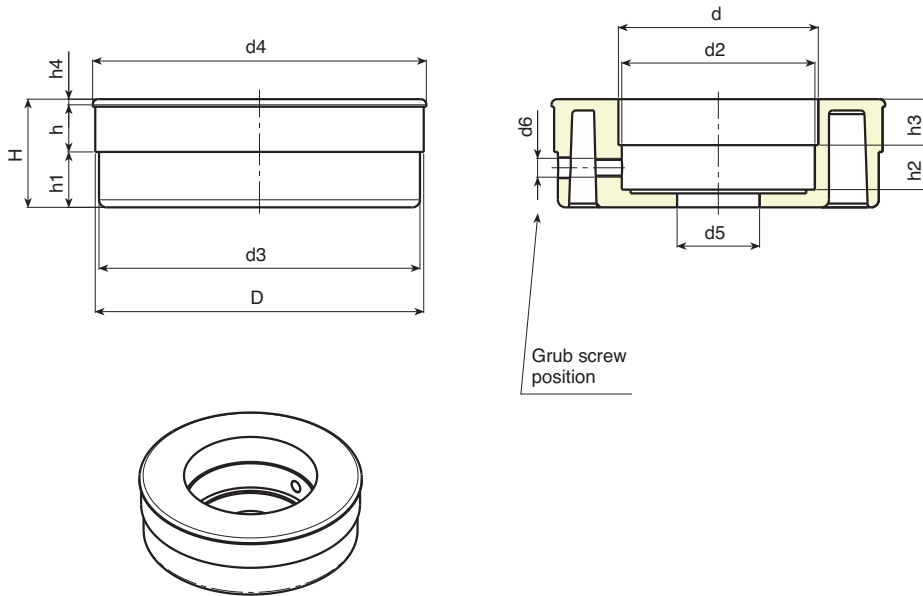
**ALTERNATIVE ADAPTOR COLOUR:**

- Orange (RAL 2004 code 02).
- Blue (RAL 5015 code 07).
- Yellow (RAL 1021 code 10).
- Red (RAL 3000 code 16).
- Green (RAL 6024 code 17).
- Grey (RAL 7035 code 13).

**Caution:** Grub screw for indicator not supplied.

**SPECIAL REQUESTS:**

- It is possible to supply colours as shown in the table at page 15, on request and for quantities.



Art.	D	d	d2	d3	d4	d5	d6	H	h	h1	h2	h3	h4	Weight (gr)
KS080-50	3,42 (S80/1)	2,05 (S50/1)	2,03	3,37	3,50	0,87	M6	1,12	0,55	0,57	0,46	0,48	0,08	80
KS120-80	(S120/1)	Available from January 2008												

