



Design Change Notice

Document: dcn20210205_ New product + phase out AB, AB TWIN, AB-HD, HS size 45+50_17-514

Prepared by: 2021-02-05 Weisskopf, Urs

Approved by: 2021-02-05 Würgler, HP

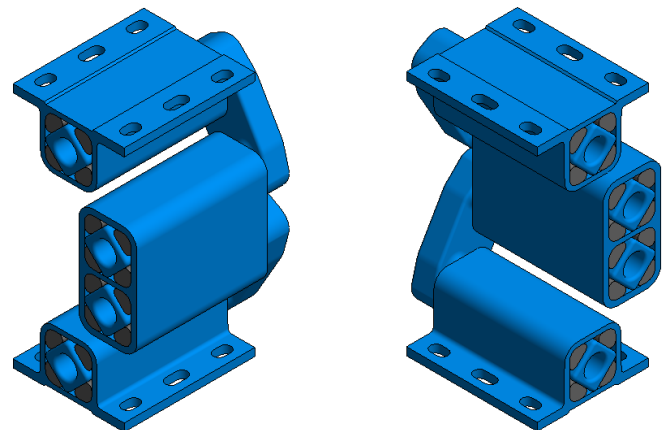
Revision: 1 Page: 1/1

New products AB, AB-HD, HS, AB TWIN, sizes 45 + 50 with aluminium housings Phase out of AB, AB-HD, HS, AB TWIN sizes 45 + 50 with casted housings

The casted housings were offered for many years. We decided to replace the casted housings with aluminium housings. The elements with aluminium housings have new part numbers. The elements with casted housings will be removed in future catalogues but are available on request.

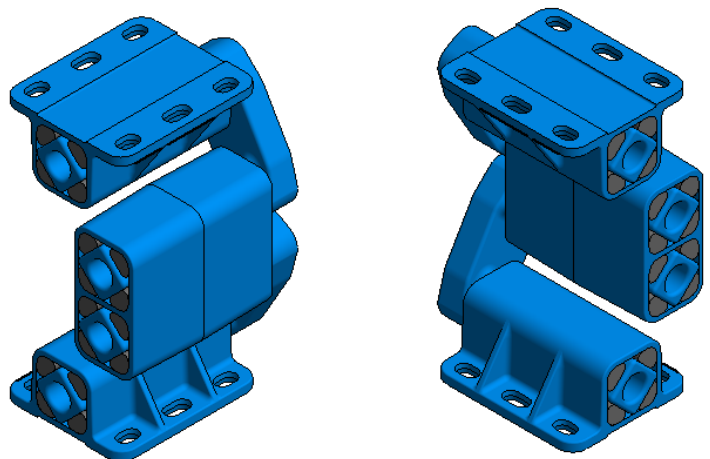
New articles with aluminium housings:

Part number:	Part name:	Weight [kg]:
07 051 042	AB 45	9.5
07 051 043	AB 50	14.5
07 051 044	AB 50-2	22.5
07 051 046	AB 50 TWIN	26.5
07 051 047	AB 50-2 TWIN	40.7
07 051 082	AB-HD 45	9.0
07 051 083	AB-HD 50	15.1
07 051 084	AB-HD 50-1.6	19.5
07 051 085	AB-HD 50-2	23.0
07 311 013	HS 45	9.0
07 311 014	HS 50	15.1
07 311 015	HS 50-2	23.0



Affected phase-out articles with casted housings:

Part number:	Part name:	Weight [kg]:
07 051 054	AB 45	11.5
07 051 061	AB 50	20.0
07 051 055	AB 50-2	31.8
07 051 008	AB 50 TWIN	38.2
07 051 009	AB 50-2 TWIN	60.2
07 051 072	AB-HD 45	11.0
07 051 062	AB-HD 50	20.6
07 051 063	AB-HD 50-1.6	29.1
07 051 060	AB-HD 50-2	32.0
07 311 003	HS 45	11.0
07 311 004	HS 50	20.3
07 311 005	HS 50-2	31.8



Form, fit and function:

- Form, fit and function are equivalent for the new articles
- New articles are lighter in weight

Proceeding:

- "New" products (aluminium housings) are available from now
- "Old" products (casted housings) are still available on request. Lead times may become longer
- Changes of customer specific parts to the aluminium version: You will individually be contacted in time for change requests